

LED TUBELIGHT WITH NIGHT LAMP



ECO-FRIENDLY



DURABLE



ECONOMICAL

Product Specification

Model No.	Power (W)	CCT (k)	Lumens(Lm)	Lm/w	CRI	Beam Angle	Size (mm)
BL-1002	36+1W	3K/4K	1620Lm	90Lm/w	>80	120°	43x30x595mm

CCT Range WW(3000K) NW (4000K) CW (6000K)

Temperature Characteristic T-ambient 25

Temperature

Operating -20~+40°C
Storage -40~+85°C

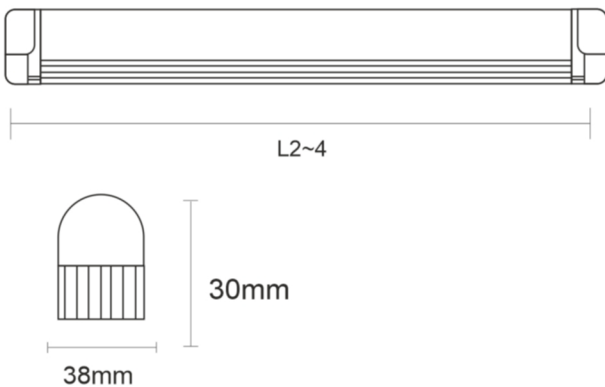
Humidity

Operating -20~+40°C
Storage -40~+85°C

Electrical Characteristic

input voltage:AC100~240V 50/60Hz
PF:≥ 0.93 THD:≤20%
Power Efficiency : ≥ 0.9

Dimension



Installation

Ceiling Mounted

