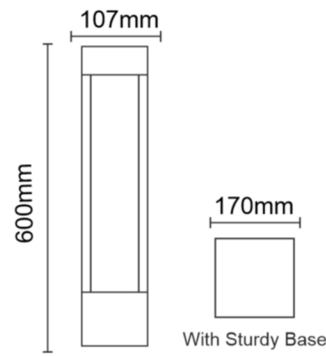
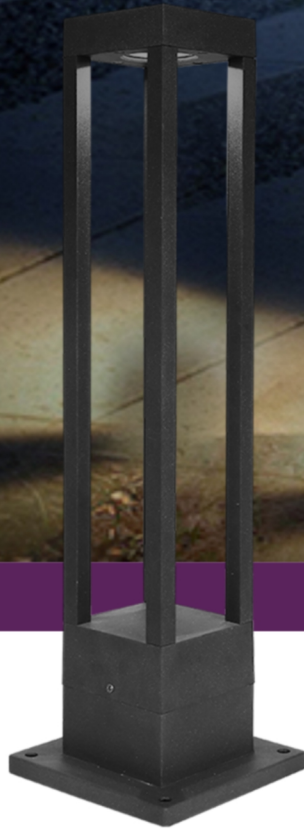


GARDEN BOLLARD LIGHT

ML-108



DUST PROOF



WATER PROOF



INTELLIGENT LIGHTING



ECO-FRIENDLY



PROTECTION

PRODUCT SPECIFICATION

MODEL NAME	WATTAGE	LUMEN	SIZE
ML-108	12W	≥1200lm	107x107x600mm

COLOUR-3K

