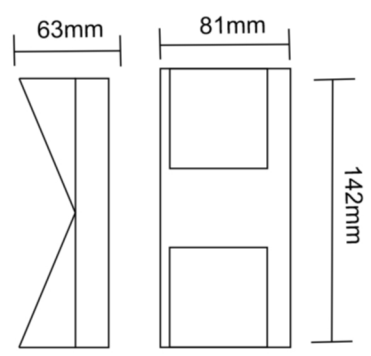


OUTDOOR WALL LIGHT

ML-1502



DUST PROOF



WATER PROOF



INTELLIGENT LIGHTING



ECO-FRIENDLY



IP54 PROTECTION

PRODUCT SPECIFICATION

MODEL NAME	WATTAGE	LUMEN	SIZE	KELVIN	BEAM ANGLE
ML-1502	6W	≥560lm	142Hx80Wx63D	3000K	90°

COLOUR-3K

EPISTAR

