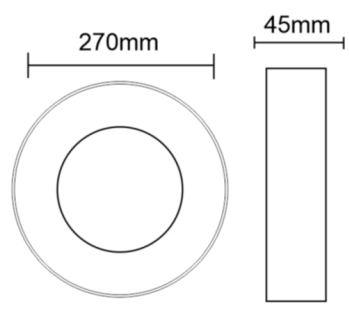
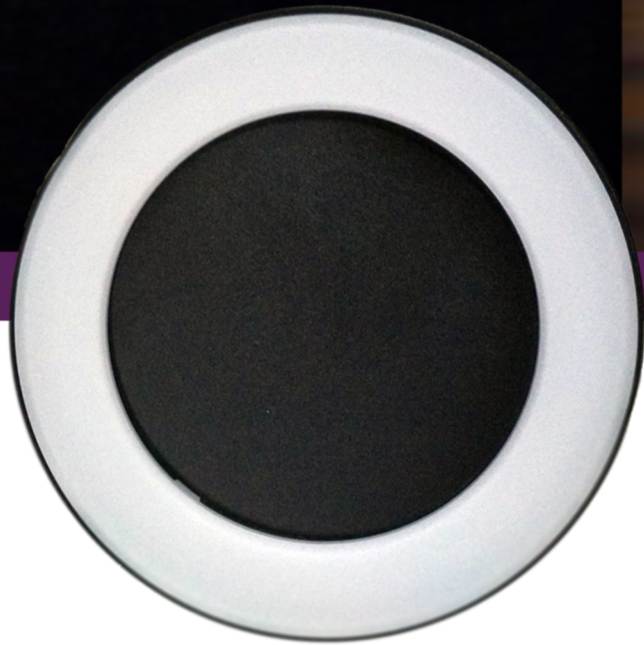
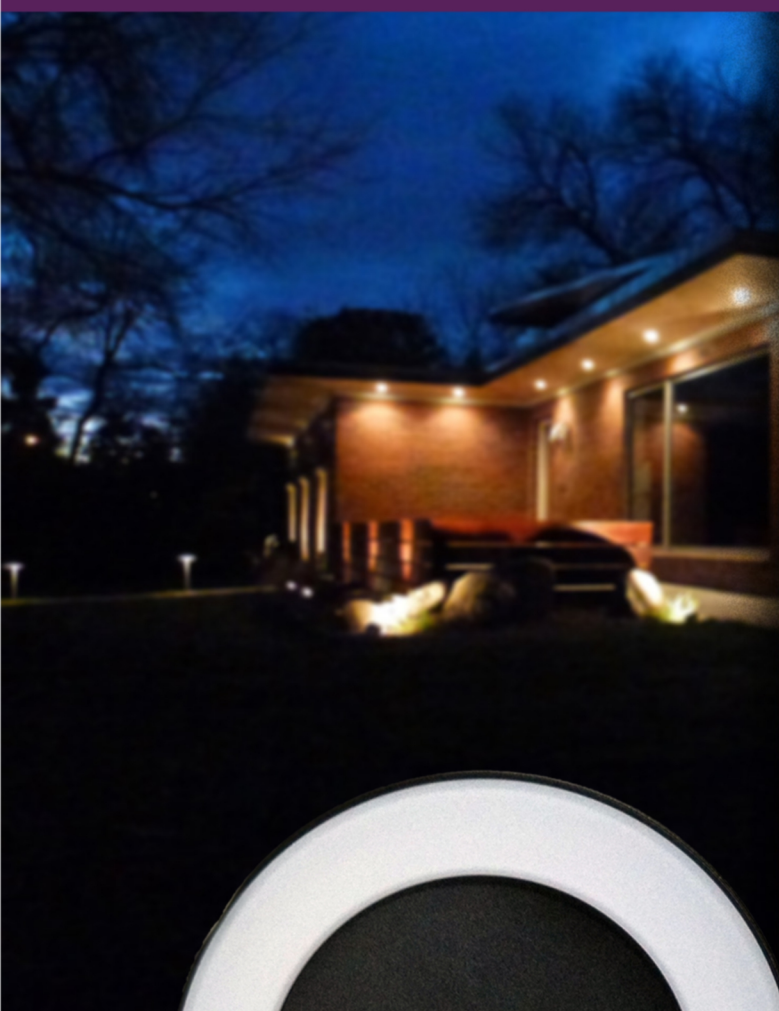


OUTDOOR WALL LIGHT

ML-2805



DUST PROOF



WATER PROOF



INTELLIGENT LIGHTING



ECO-FRIENDLY



IP54
PROTECTION

PRODUCT SPECIFICATION

MODEL NAME	WATTAGE	LUMEN	SIZE
ML-2805	15W	≥1350lm	ø270Hx45D

COLOUR-3K