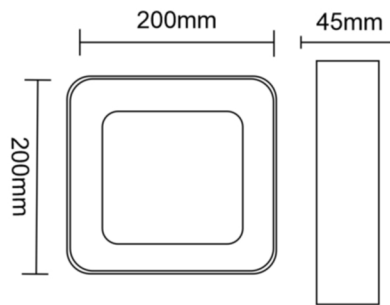


OUTDOOR WALL LIGHT

ML-2806



DUST PROOF



WATER PROOF



INTELLIGENT LIGHTING



ECO-FRIENDLY



PROTECTION

PRODUCT SPECIFICATION

MODEL NAME	WATTAGE	LUMEN	SIZE
ML-2806	15W	≥1350lm	200Hx200Hx45D