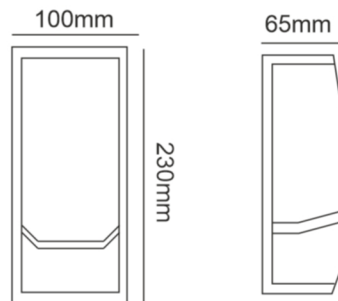


# OUTDOOR WALL LIGHT

ML-759



DUST PROOF



WATER PROOF



INTELLIGENT LIGHTING



ECO-FRIENDLY



PROTECTION

## PRODUCT SPECIFICATION

MODEL NAME	WATTAGE	LUMEN	SIZE
ML-759	12W	≥450lm	L230xW100xH65MM

COLOUR-3K|6K

EPISTAR

