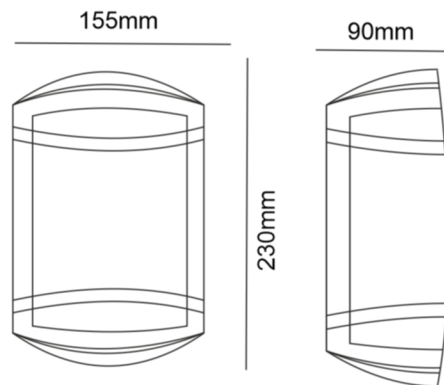


OUTDOOR WALL LIGHT

ML-959



DUST PROOF



WATER PROOF



INTELLIGENT LIGHTING



ECO-FRIENDLY



IP54
PROTECTION

PRODUCT SPECIFICATION

MODEL NAME	WATTAGE	LUMEN	SIZE
ML-959	12W	≥1080lm	L230xW155xH90MM

COLOUR-3K

EPISTAR

